

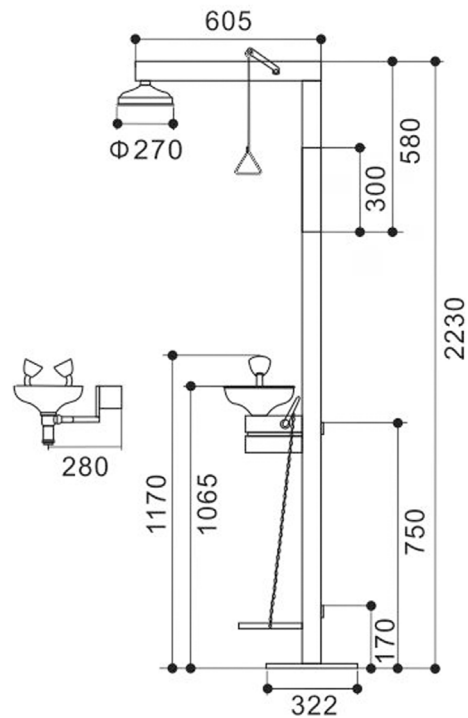
Cable Heating Emergency Shower

WG7054ER



It complies with the regulations in ANSI Z358.1-2014 standard and OSHA 29 CFR 1910.151(C) issued by ANSI has acquired CE Certification

SYSBEL's combination unit (WG7054RP & WG7054RS) are an interconnected assembly of emergency equipment supplied by a single source of flushing fluid. The safety shower rapidly removes contaminants from the body while the eye/face washes flush hazardous contaminants and irritants from the eyes and face. Featuring 304SS pipe work, stay-open valve, bowl, nozzle heads, showerhead, etc. zero velocity point provides more comfort and control for effective irrigation of the eyes. AES resin impeller action yellow showerhead with integral flow control. Standards Licensed to the internationally recognised standard ANSI Z358.1-2014 and are compliant with AS4775-2007 for Emergency Eyewash and Shower equipment.



Cable Heating Emergency Shower

Product	Main Material	Color	Flow Speed (L/min)	Inlet	Outlet	Pressure (KPa)	Packing size L*W*H/cm	G.W. (kgs.)	Model
Cable Heating Emergency Shower	304SS	Red	Eye: 10L/min Shower: 80L/min	1, G1/2	1	3-6bar	230*70*30	48	WG7054ER